

RESERVDELSKATALOG

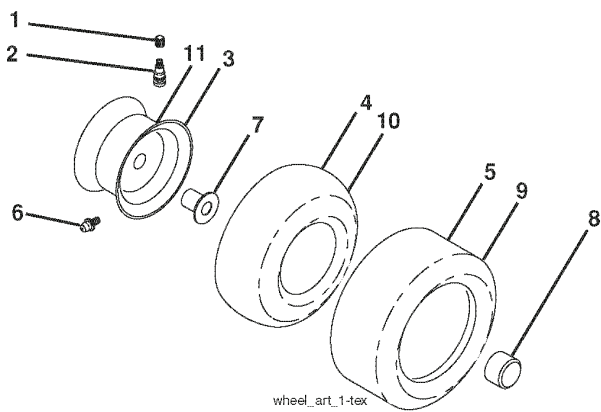
: JONSERED

Reservdelslista

RESERVDELSLISTA

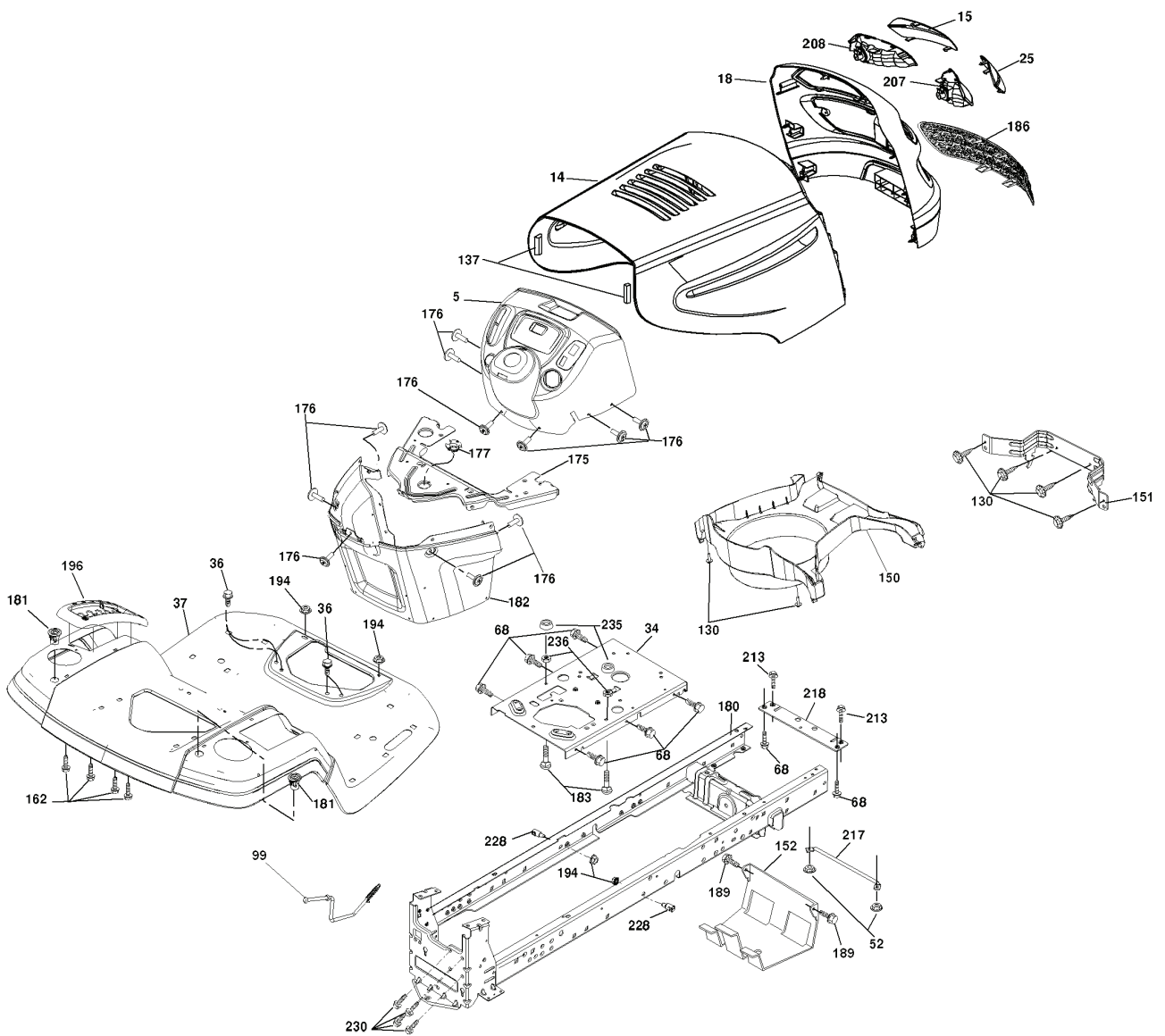
REF.	ART. NR	ARTIKELBESKRIVNING	ANMÄRKNING	KIT
1	532194637	RATT		1
2	532195673	AXEL		1
4	532403087	SPINDEL		1
5	532403088	SPINDEL		1
6	532124931	BRICKA		1
7	532121748	BRICKA		1
8	812000029	FLÄNSRING		1
9	532121232	NAVKAPSEL		1
13	532121749	BRICKA		1
14	810040600	BRICKA		1
15	873540600	MUTTER		1
16	532196074	AXEL		1
19	532194729	PLATTA		1
20	532411291	RATTKOLONN		1
21	532186737	ADAPTER		1
22	532194845	BUSHING		1
26	532194603	NAV		1
28	817000612	SCREW		1
33	810040500	BRICKA		1
35	532194732	PLATTA		1
45	819113812	BRICKA		1
53	532188967	BRICKA		1
57	532407465	FÄSTE		1
58	532194747	BULT		1
59	532194748	BRICKA		1
60	873971000	MUTTER		1
61	532194740	LÄNK		1
62	532194741	LÄNK		1
63	817000512	SCREW		1
64	532199849	FJÄDERFÄSTE		1
66	871020748	BULT		1
67	532194737	BUSHING		1
68	873900700	MUTTER		1
70	532196197	FÄSTE		1
71	532196075	AXEL		1
72	874780572	BULT		1
73	532199162	BRICKA		1
74	532124937	BEARING COL. STRG.		1

**TRACTOR - - MODEL NUMBER LT2217A (96041004300), PRODUCT NO. 960 41 00-43
WHEELS AND TIRES**



REF.	ART. NR	ARTIKELBESKRIVNING	ANMÄRKNING	KIT
1	532059192	CAP VALVE		1
2	532065139	NIPPEL		1
3	532138336	FÄLG		1
4	532059904	SLANG		1
5	532106222	DÄCK		1
6	532124957	FITTING		1
7	532124959	LAGER		1
8	532175039	NAVKAPSEL		1
9	532106268	DÄCK		1
10	532124926	SLANG		1
11	532138337	RINGDREV		1
-	532144334	SEALING FOAM		1

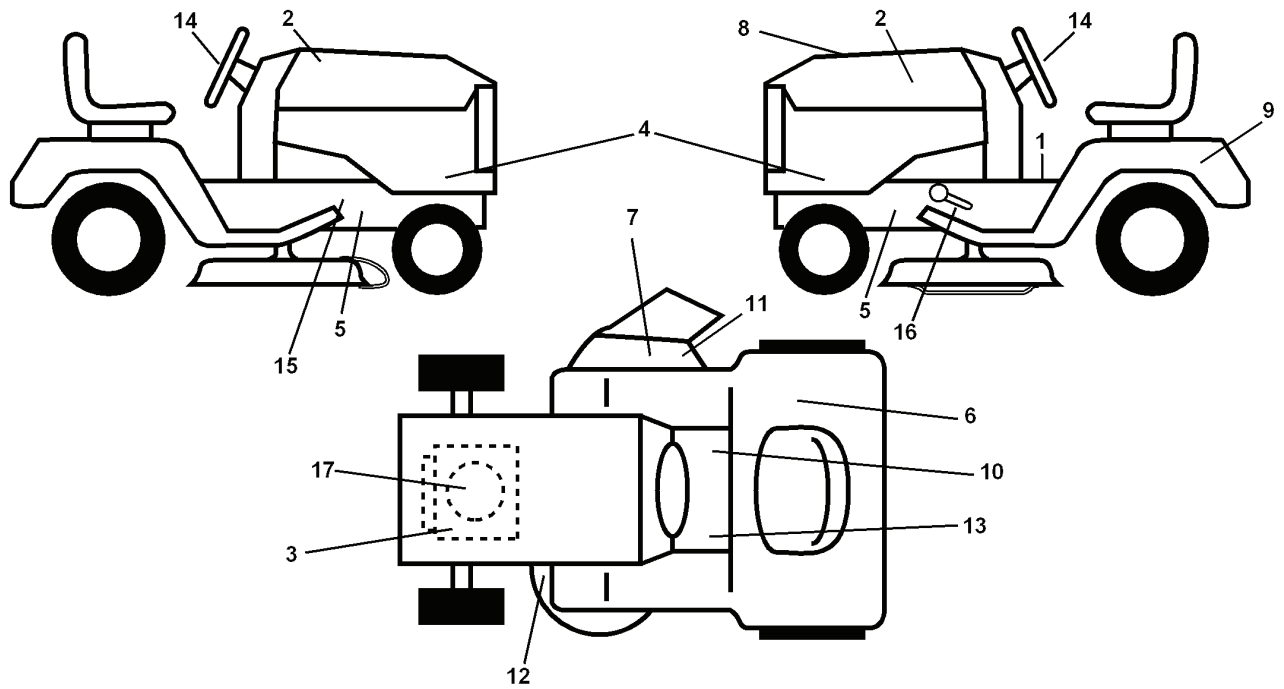
**TRACTOR - - MODEL NUMBER LT2217A (96041004300), PRODUCT NO. 960 41 00-43
CHASSIS**



chassis-tex_54-elite-sv-pro

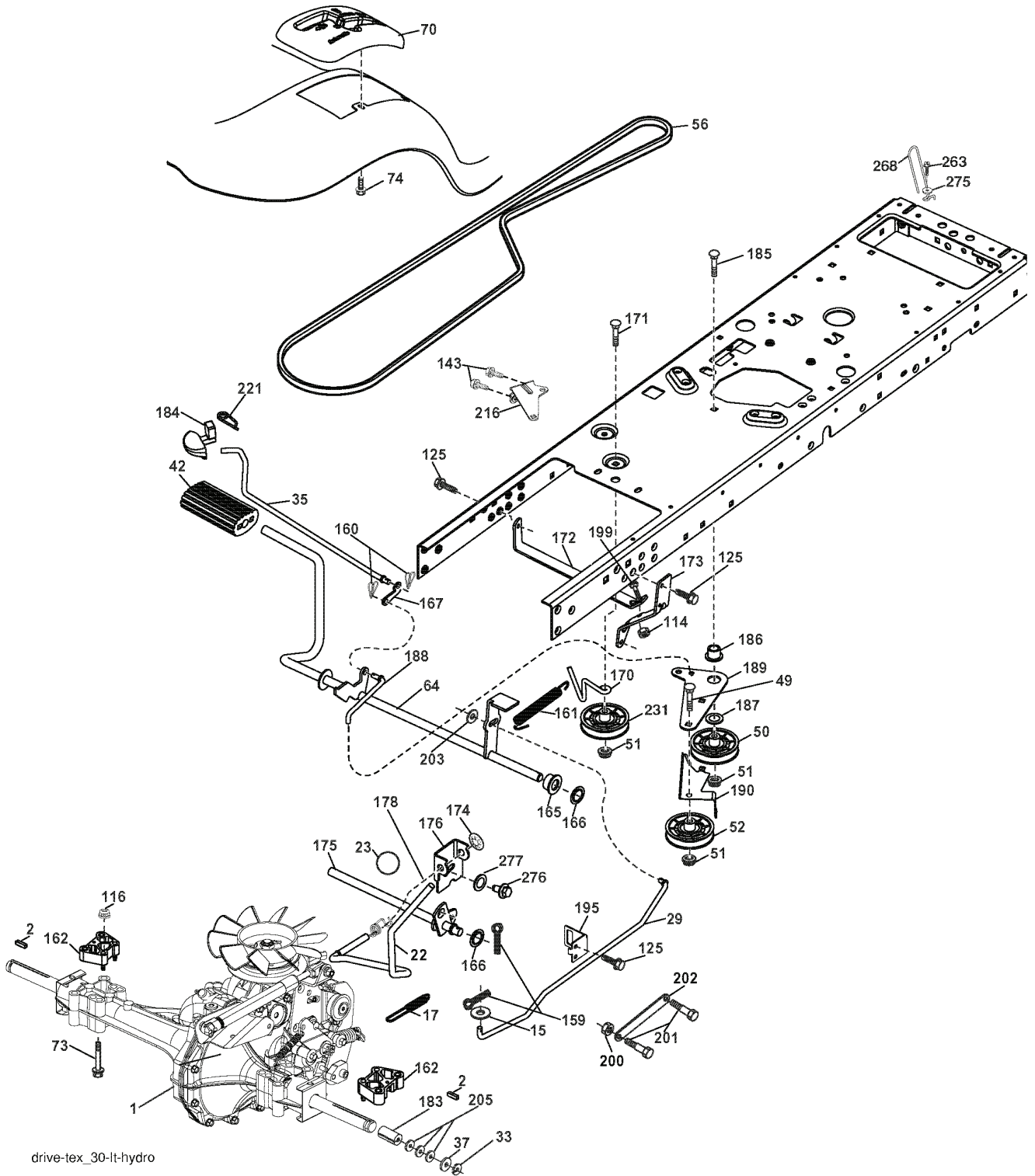
REF.	ART. NR	ARTIKELBESKRIVNING	ANMÄRKNING	KIT
5	532411279	PANEL		1
14	532194757	HUV		1
15	532189754	LENS GRILLE LH		1
18	532192915	HUV		1
25	532189755	LENS GRILLE RH		1
34	532196125	PLATTA		1
36	817060512	SCREW		1
37	532411283	STÄNKSKÄRM		1
52	873680500	MUTTER		1
68	817490508	SCREW		1
99	532403376	STÅNG		1
130	532191611	SCREW		1
137	532184921	STÖTFÅNGARE		1
150	532184322	DUCT		1
151	532407807	FÄSTE		1
152	532199535	SKÄRM		1
162	532137729	SCREW		1
175	532193243	PLATTA		1
176	532400776	SCREW		1
177	532195228	BUSHING		1
180	532195457	CHASSI		1
181	532404796	BUSHING		1
182	532193057	PANEL		1
183	874780520	BULT		1
186	532189753	INSERT GRILLE		1
189	817000512	SCREW		1
194	873900500	MUTTER		1
196	532409728	DYNA		1
207	532183833	SUPPORT DE PHARE DROIT		1
208	532183832	SUPPORT DE PHARE GAUCHE		1
213	874760512	BULT		1
217	532156524	AXEL		1
218	532196395	PLATTA		1
228	532195161	STUD		1
230	532170165	BULT		1
235	532406129	DISTANSBRICKA		1
236	873930500	MUTTER		1

**TRACTOR - - MODEL NUMBER LT2217A (96041004300), PRODUCT NO. 960 41 00-43
DECALS**



REF.	ART. NR	ARTIKELBESKRIVNING	ANMÄRKNING	KIT
1	532400389	DEKAL		1
2	532189553	DEKAL		1
3	532196841	DEKAL		1
4	532408653	DEKAL		1
5	532159736	DEKAL		1
6	532180432	DEKAL		1
7	532182166	DEKAL		1
8	532408628	DEKAL		1
9	532145005	DEKAL		1
10	532140837	DEKAL		1
11	532196357	DECALC:"DANGER DEFLECTEUR"		1
12	532160396	DEKAL		1
13	532159737	DEKAL		1
14	532185773	DEKAL		1
15	532183930	DEKAL		1
16	532408654	DEKAL		1
17	532409151	DEKAL		1
-	532409505	DYNA		1
-	532411273	DYNA		1
-	532162598	DEKAL		1
-	532166960	DEKAL		1
-	532417398	OPERATOR'S MANUAL		1
-	532409210	OPERATOR'S MANUAL		1
-	532409211	OPERATOR'S MANUAL		1
-	532409212	OPERATOR'S MANUAL		1

**TRACTOR - - MODEL NUMBER LT2217A (96041004300), PRODUCT NO. 960 41 00-43
DRIVE**

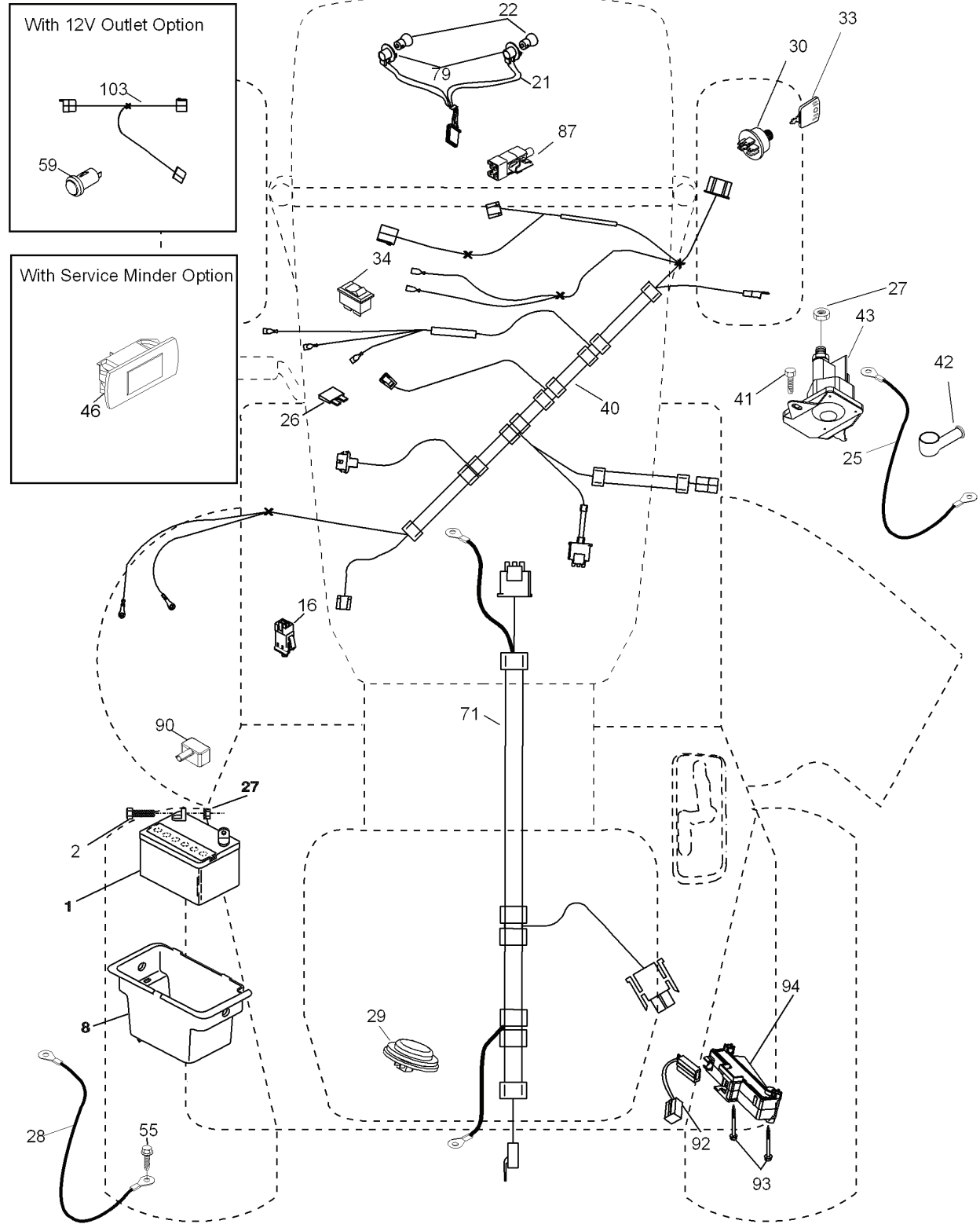


drive-tex_30-lt-hydro

REF.	ART. NR	ARTIKELBESKRIVNING	ANMÄRKNING	KIT
2	532123583	TANGENT		1
15	819131316	BRICKA		1
17	532197296	FJÄDER		1
22	532197660	STÅNG		1
23	532121274	KNOPP		1
29	532197659	STÅNG		1
33	812000001	FLÄNSRING		1
35	532197722	STÅNG		1
37	532121749	BRICKA		1
42	532124872	PEDAL RUBBER		1
49	872110614	BULT		1
50	532194327	REMSKIVA		1
51	873900600	MUTTER		1
52	532194326	REMSKIVA		1
56	532140218	KILREM		1
64	532196200	AXEL		1
70	532411329	KONSOL		1
73	874490560	BULT		1
74	532142432	SCREW		1
114	873800500	LOCK NUT		1
116	873900500	MUTTER		1
125	817000512	SCREW		1
143	817490508	SCREW		1
159	876020412	SPLIT PIN		1
160	532169484	TAPP		1
161	532195403	FJÄDER		1
162	532195785	DISTANSBRICKA		1
165	532196212	BUSHING		1
166	532197290	MUTTER		1
167	532405257	SPÄRRHAKE		1
170	532194322	STYRNING		1
171	872110622	BULT		1
172	532197656	SPÄNNBAND		1
173	532197655	SPÄNNBAND		1
174	532197289	MUTTER		1
175	532197653	AXEL		1
176	532196214	ARM		1
178	532197456	FJÄDER		1
183	532137057	DISTANSBRICKA		1
184	532411289	KNOPP		1
185	872110620	BULT		1
186	532194321	DISTANSBRICKA		1
187	819133210	BRICKA		1
188	532194323	LÄNK		1
189	532194317	PLATTA		1
190	532194318	REMSTYRARE		1
195	532198012	FÄSTE		1
199	872140508	BULT		1
200	873930500	MUTTER		1
201	532169612	SCREW		1
202	532197715	LÄNK		1
203	819111116	BRICKA		1
205	532121748	BRICKA		1
216	532196131	FÄSTE		1
221	532403187	FJÄDER		1
231	532407287	REMSKIVA		1
263	817000612	SCREW		1
268	532182402	PROTECTOR		1
275	819131614	BRICKA		1
276	874780716	BULT		1
277	532405296	BRICKA		1

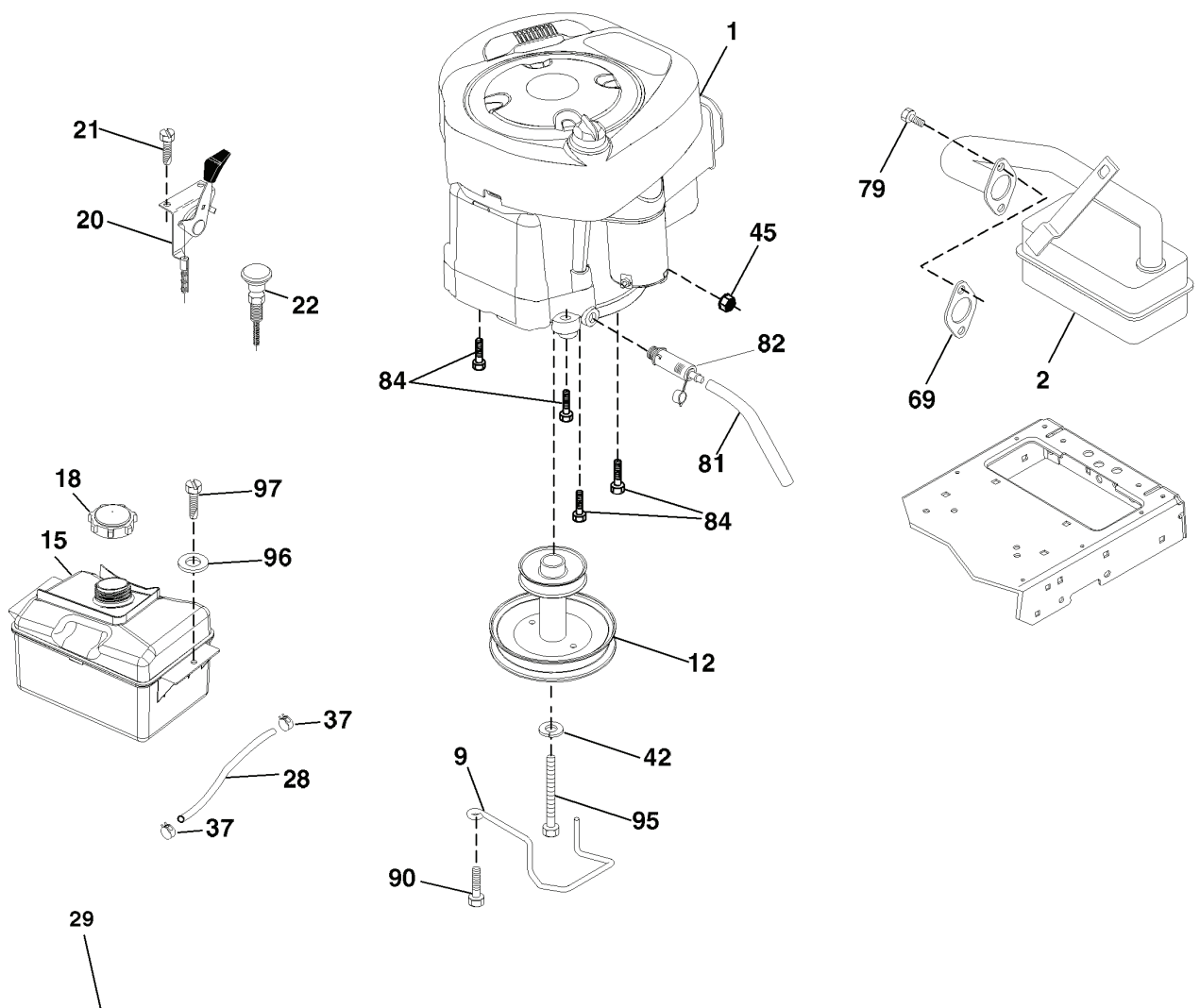
TRACTOR - - MODEL NUMBER LT2217A (96041004300), PRODUCT NO. 960 41 00-43 ELECTRICAL

T02S



REF.	ART. NR	ARTIKELBESKRIVNING	ANMÄRKNING	KIT
1	532144927	BATTERI		1
2	874760412	BULT		1
8	532193228	LÅDA		1
16	532176138	MIKROBRYTARE		1
21	532183759	SELE		1
22	532004152	GLÖDLAMPA		1
25	532401662	KABEL		1
26	532175158	SÄKRING		1
27	873510400	MUTTER		1
28	532198885	KABEL		1
29	532401545	BRYTARE		1
30	532193350	TÄNDMODUL		1
33	532140401	TANGENT		1
34	532110712	BRYTARE		1
40	532401098	KABEL		1
41	817720408	SCREW		1
42	532131563	KÅPA		1
43	532192507	SOLENOID		1
55	817060512	SCREW		1
71	532400449	KABEL		1
79	532175242	HÅLLARE		1
87	532197802	BRYTARE		1
90	532400725	KÅPA		1
92	532196615	KABLAGE KPL		1
93	532192540	SCREW		1
94	532191834	MODULE.REVERSE.ROS		1

**TRACTOR - - MODEL NUMBER LT2217A (96041004300), PRODUCT NO. 960 41 00-43
ENGINE**



29

OPTIONAL EQUIPMENT

Spark Arrester

engine-bs-1cyl-tex_8_r1

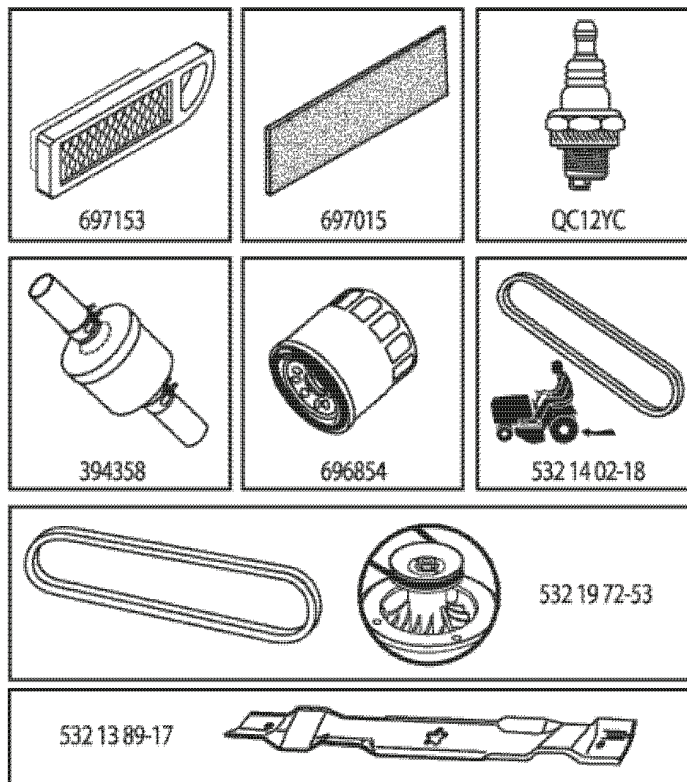
REF.	ART. NR	ARTIKELBESKRIVNING	ANMÄRKNING	KIT
2	532137352	LJUDDÄMPARE		1
9	532194319	REMS TYRARE		1
12	532401985	REMSKIVA		1
15	532407545	BRÄNSLETANK		1
18	532197725	PLUGG		1
20	532183897	REGLAGE		1
21	532191611	SCREW		1
22	532194981	REGLAGE		1
28	532137040	SLANG		1
29	532137180	SPARK ARRESTER KIT		1
37	532123487	SLANGKLÄMMA		1
42	810040700	BRICKA		1
45	873510400	MUTTER		1
69	532165291	PACKNING		1
79	532192334	SCREW		1
81	532148456	RÖR		1
82	532181654	PLUGG		1
84	817060620	SCREW		1
90	817000616	SCREW		1
95	532173937	BULT		1
96	819091416	BRICKA		1
97	817670412	SCREW		1

ILLUSTRATED PARTS LIST

MODEL NO. 96041004300

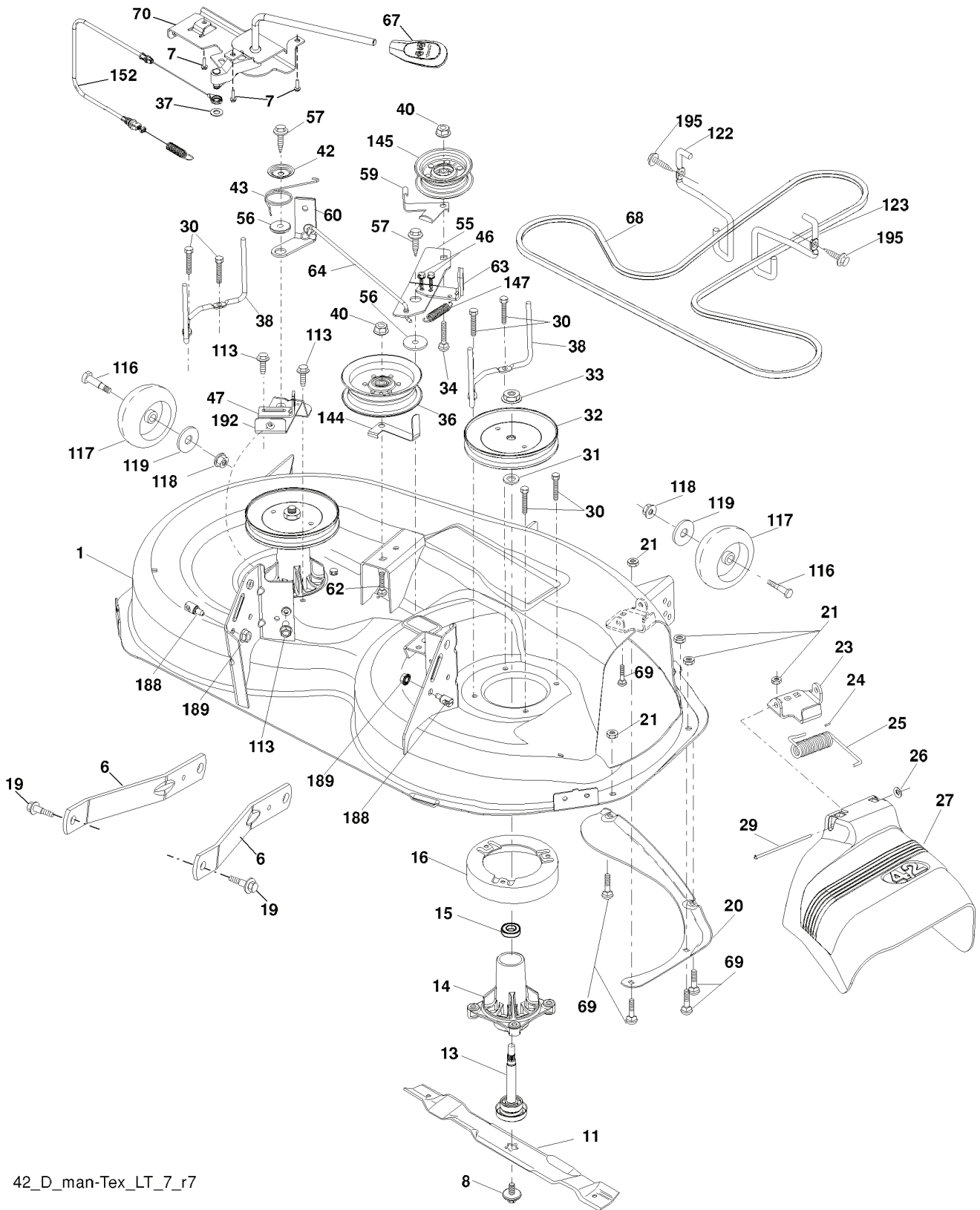
CUSTOMER CATALOG NO. LT2217A

PRODUCT NO. 960 41 00-43



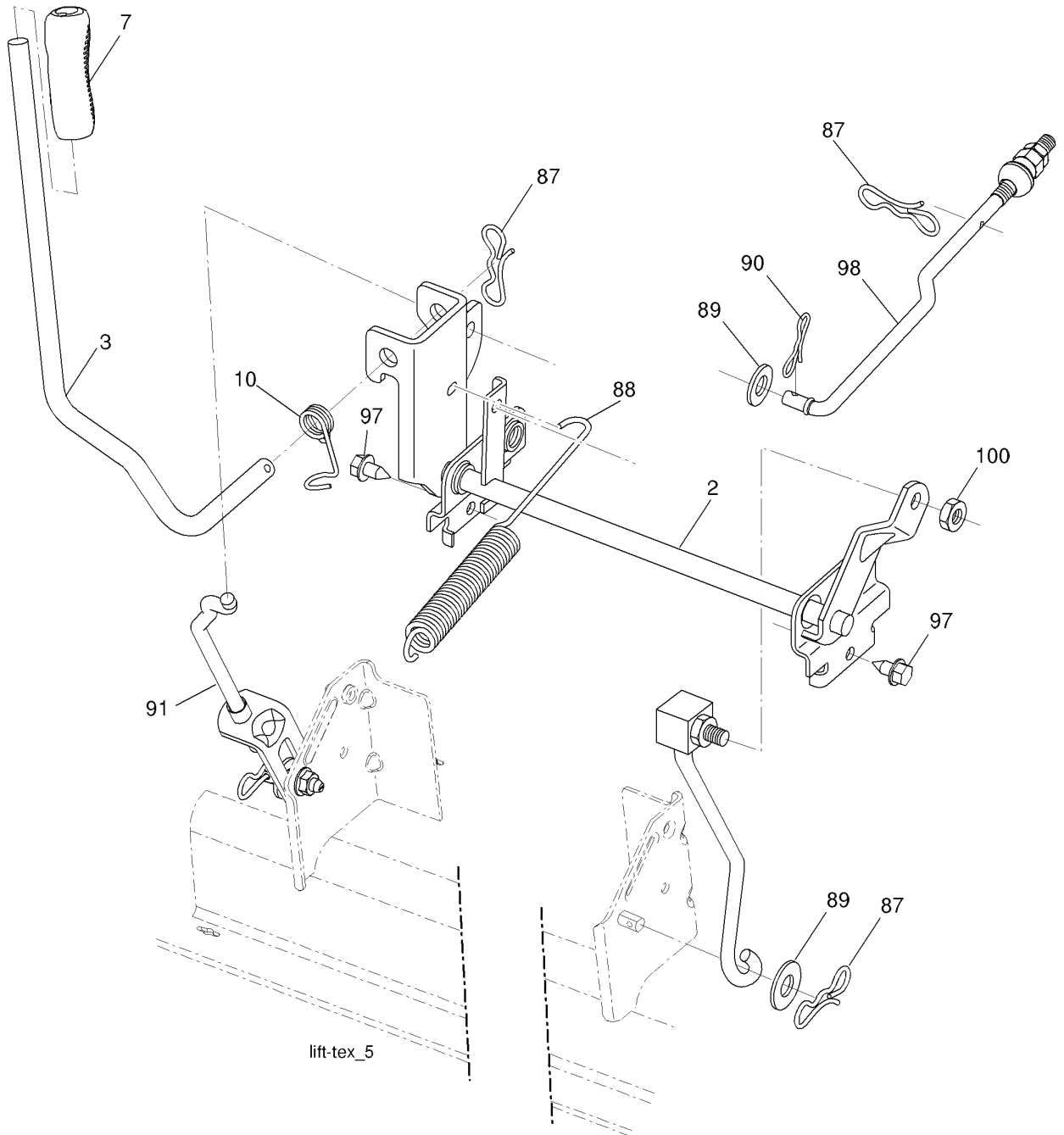
REF.	ART. NR	ARTIKELBESKRIVNING	ANMÄRKNING	KIT
697153	697153	LUFTFILTER		1
394358	394358	FILTER		1
697015	697015	FÖRFILTER		1
696854	696854	LFILTER CTH170		1
532 14 02-18	532140218	KILREM		1
532 19 72-53	532197253	REM		1

**TRACTOR - - MODEL NUMBER LT2217A (96041004300), PRODUCT NO. 960 41 00-43
MOWER DECK**



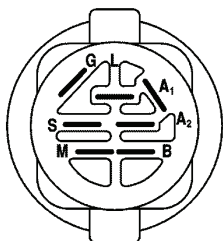
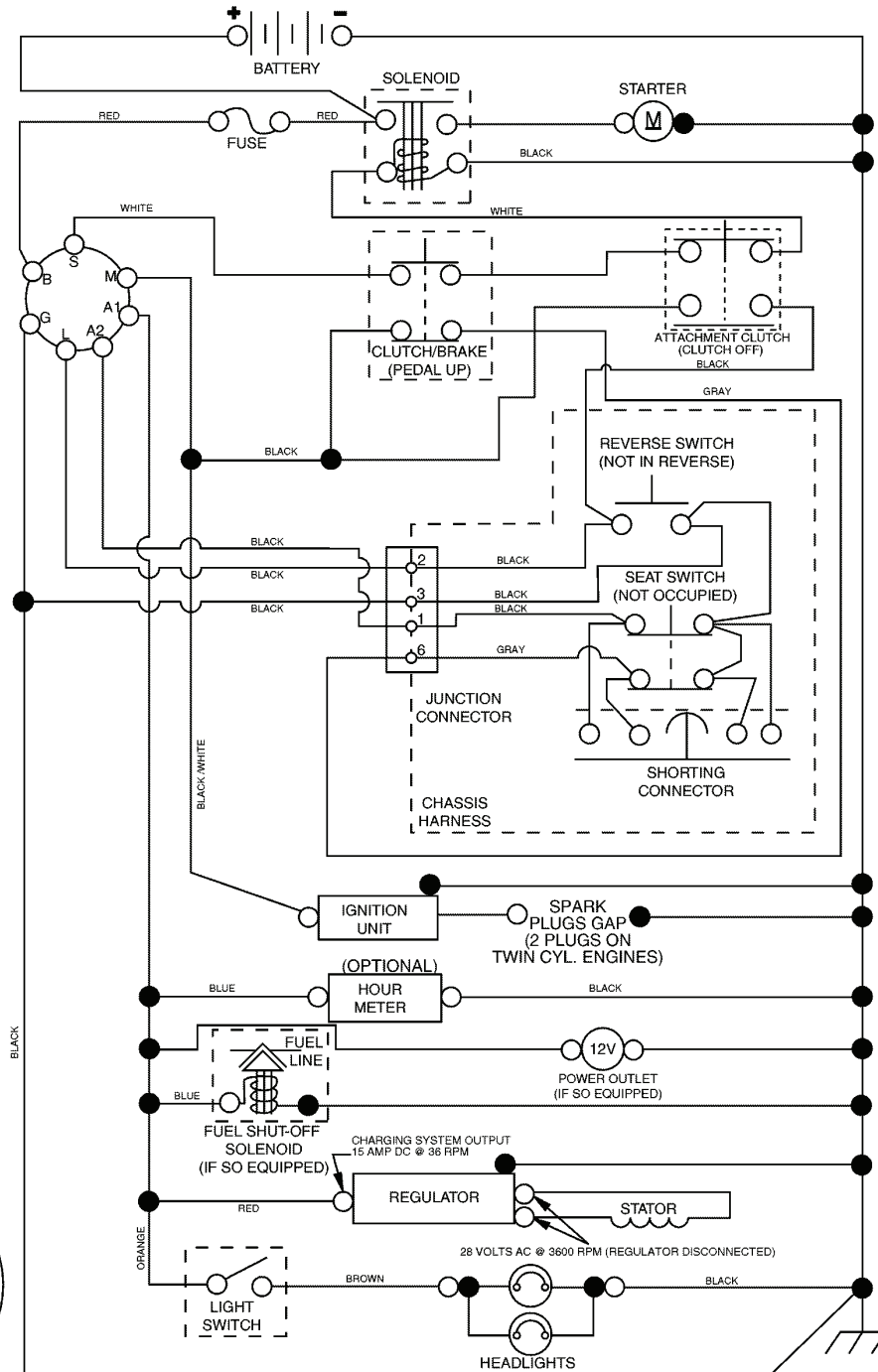
REF.	ART. NR	ARTIKELBESKRIVNING	ANMÄRKNING	KIT
1	532196495	HUS		1
6	532195186	ARM		1
7	532416358	SCREW		1
8	532193003	SCREW		1
11	532138971	KNIV		1
13	532192872	AXEL KPL		1
14	532187281	LAGERHUS		1
15	532110485	LAGER		1
16	532174493	STRIPPER, MANDREL BLACK		1
19	532196539	BULT		1
20	532159770	BALK		1
21	873680500	MUTTER		1
23	532192557	GÅNGJÄRN		1
24	532105304	NAVKAPSEL		1
25	532197026	VRIDFJÄDER		1
26	532110452	MUTTER		1
27	532403004	SKÄRM		1
29	532131491	AXEL		1
30	532173984	SCREW		1
31	532187690	BRICKA		1
32	532197473	REMSKIVA		1
33	532400234	MUTTER		1
34	872110612	BULT		1
36	532197379	REMSKIVA		1
37	819131316	BRICKA		1
38	532199189	REMSTYRARE		1
40	873900600	MUTTER		1
42	532198410	FJÄDER		1
43	532197256	FJÄDER		1
46	532137729	SCREW		1
47	532197250	FÄSTE		1
55	532197249	ARM		1
56	532199092	DISTANSBRICKA		1
57	817000616	SCREW		1
59	532141043	SKYDD		1
60	532197261	ARM		1
62	872110616	BULT		1
63	532199477	ARM		1
64	532199790	LÄNK		1
67	532403012	HANDTAG		1
68	532197253	REM		1
69	872140505	BULT		1
70	532198332	KOPPLING		1
113	817000510	BULT		1
116	532124842	BULT		1
117	532188606	HJUL		1
118	873930600	MUTTER		1
119	819121414	BRICKA		1
122	532197258	REMSTYRARE		1
123	532197259	REMSTYRARE		1
144	532199204	REMSTYRARE		1
145	532193197	REMSKIVA		1
147	532401971	FJÄDER		1
152	532408714	KABEL		1
188	532195161	STUD		1
189	873900500	MUTTER		1
192	532197260	FÄSTE		1
195	817000612	SCREW		1
-	532192870	SPINDEL		1
-	532199608	KLIPPAGGREGAT		1

**TRACTOR - - MODEL NUMBER LT2217A (96041004300), PRODUCT NO. 960 41 00-43
MOWER LIFT**



REF.	ART. NR	ARTIKELBESKRIVNING	ANMÄRKNING	KIT
2	532195223	AXEL		1
3	532195231	HÄVARM		1
7	532411555	GREPP		1
10	532196314	FJÄDER		1
87	532194209	FJÄDER		1
88	532195303	FJÄDER		1
89	819191912	BRICKA		1
90	532194208	TAPP		1
91	532195181	LÄNK		1
97	817060612	SCREW		1
98	532195270	LÄNK		1
100	873930600	MUTTER		1

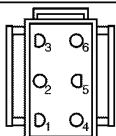
TRACTOR - - MODEL NUMBER LT2217A (96041004300), PRODUCT NO. 960 41 00-43 SCHEMATIC



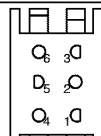
IGNITION SWITCH

POSITION	CIRCUIT	"MAKE"
OFF	M+G+A1	
RUN/OVERRIDE	B+A1	
RUN	B+A1	L+A2
START	B+S+A1	

03101



CHASSIS HARNESS CONNECTOR (MATING SIDE)



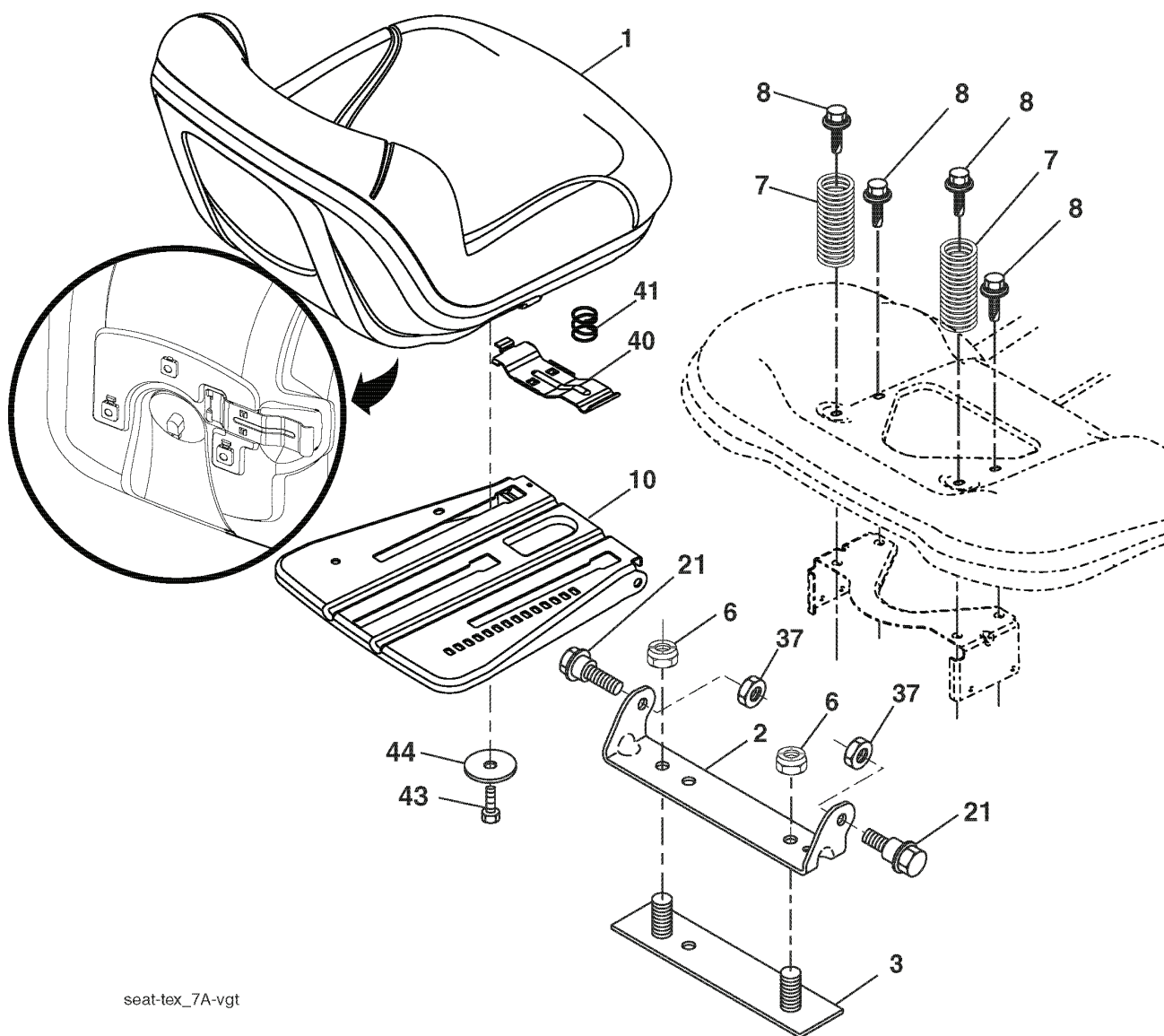
DASH HARNESS CONNECTOR (MATING SIDE)

WIRING INSULATED CLIPS
NOTE: IF WIRING INSULATED CLIPS WERE REMOVED FOR SERVICING OF UNIT, THEY SHOULD BE REPLACED TO PROPERLY SECURE YOUR WIRING.

NON-REMOVABLE CONNECTIONS

REMOVABLE CONNECTIONS

**TRACTOR - - MODEL NUMBER LT2217A (96041004300), PRODUCT NO. 960 41 00-43
SEAT ASSEMBLY**



seat-tex_7A-vgt

REF.	ART. NR	ARTIKELBESKRIVNING	ANMÄRKNING	KIT
1	532197511	SÅTE		1
2	532180166	FÄSTE		1
3	532140675	SPÄNNBAND		1
6	873800600	MUTTER		1
7	532124181	FJÄDER		1
8	532171877	BULT		1
10	532196977	PLATTA		1
21	532171852	BULT		1
37	873800500	LOCK NUT		1
40	532197661	HANDTAG		1
41	532198200	FJÄDER		1
43	874760612	BULT		1
44	819133812	BRICKA		1
	ART. NR		ANMÄRKNING	KIT